



FITTING INSTRUCTIONS

Part Number: **3163015**
Product Description: **Light Surround Kit**

Parts Listing

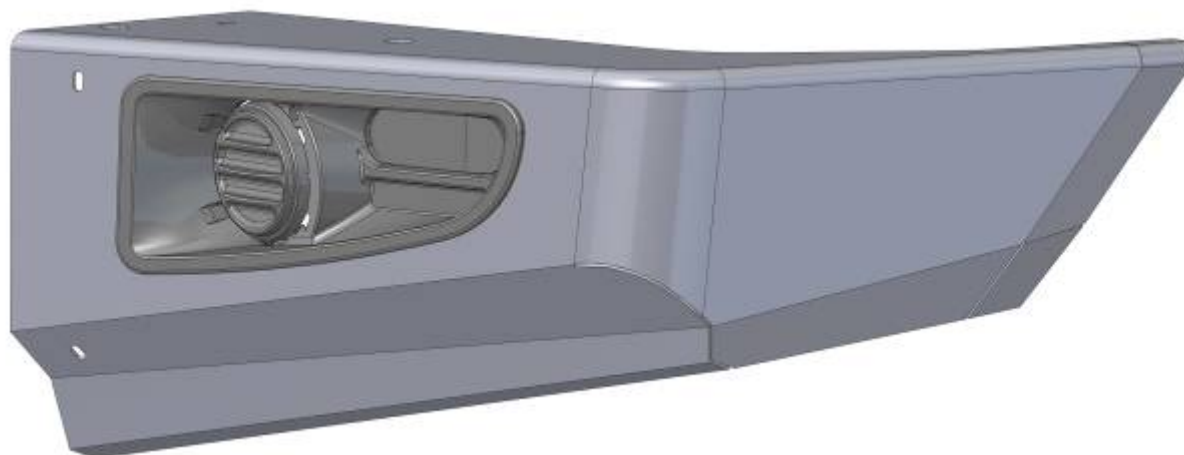
ITEM NUMBER	QTY	DESCRIPTION
1	1	Light Surround RH
2	1	Light Surround LH
3	8	Light Surround Clamps
4	8	Clamp Screws
5	4	Indicator Replacement Screws
6	8	Rubber Washers

Items 3, 4, 5 and 6 are also available as spare parts kit P/No. 6172321

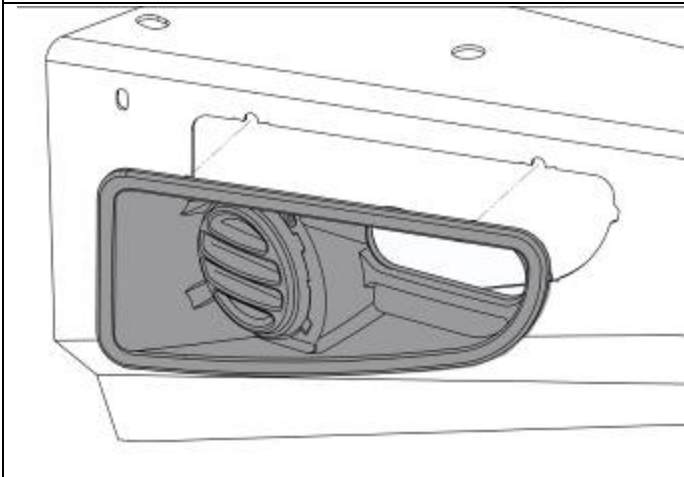
IMPORTANT: *These instructions must be read in conjunction with the bull bar instructions. The sequence of fitting the light and surround to the bull bar are specified in the bull bar instructions.*

OPTIONAL FOG LIGHT SET TO SUIT THIS PRODUCT:

- ◆ Fog Lamp Set P/No. 6821201,
- ◆ Loom Kit P/No. MD02
- ◆ Switch P/No. 180209

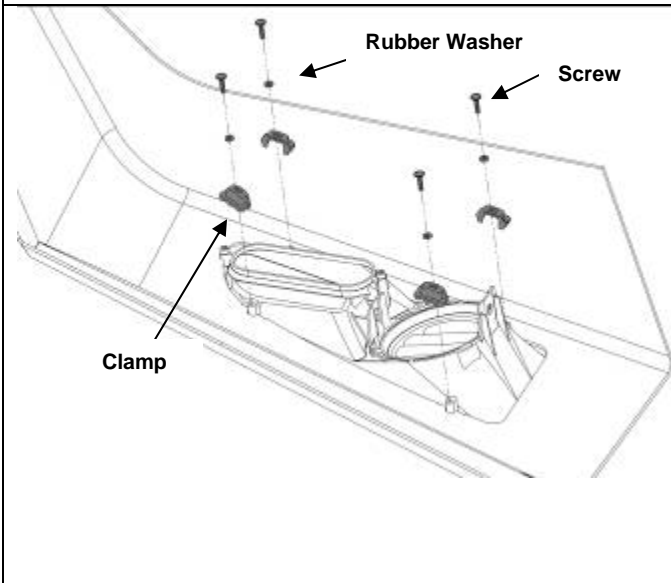


FITTING PROCEDURE



1. Fit the light surrounds into the wings as shown. Note: The instructions supplied with the bar will advise as to the best time for these to be installed.

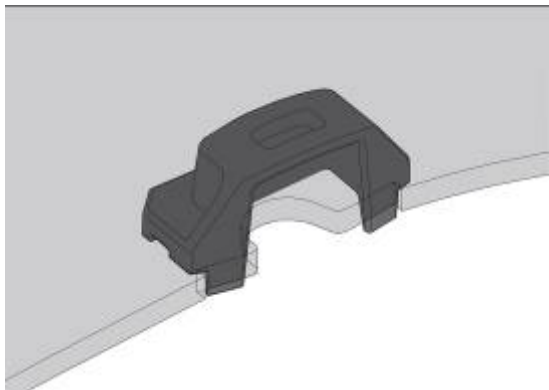
Fog lamps, if being fitted, can be installed either before or after the surround is fitted into the bar. Refer to instructions (3783315) supplied with fog lamp kit.



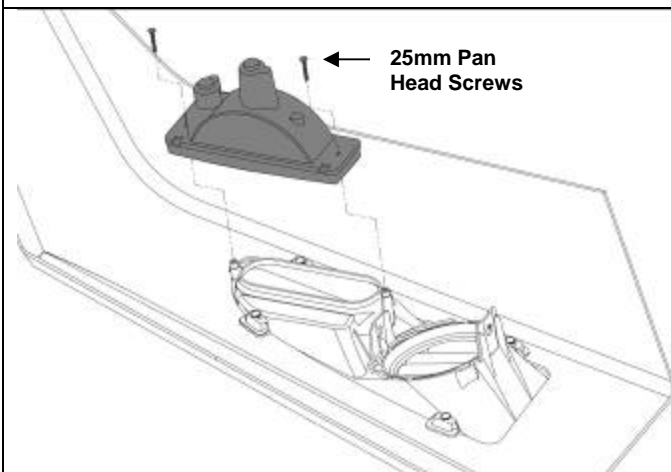
2. Fit the 4 x clamps to secure light surround into position.
3. Ensure that the rubber washers are placed between the screws and the clamps.
4. Align the top of the surround so it is parallel to the top of the bar unless specified otherwise.

HINT: You can loose fit the top two screw and clamp sets before loading the assembly into the wing to make fit up easier

CAUTION: DO NOT OVER TIGHTEN THE SCREWS.



NOTE: When installed correctly the 2 lugs on the bottom of the clamp will fit into the recesses in the bar as shown. (4 Places).



5. Remove and discard the screws and speed nuts supplied with the indicators.
6. Using the 25mm long pan head screws supplied in the light surround fitting kit, fit indicators to light surrounds.

NOTE: The indicators are handed and drain holes must be on the lowest edge.

7. Refer to the bar instructions for details on connecting the indicator and clearance light lamps to the vehicle wiring loom.